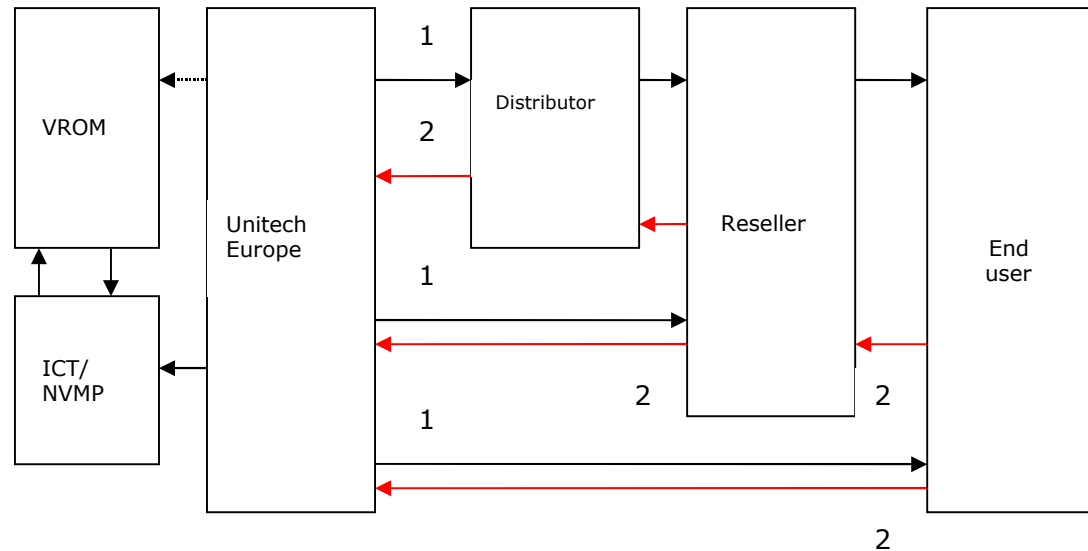


Waste treatment & retrieval system Unitech Europe

Thank you for purchasing and using product(s) from Unitech. In case of disposal of the products from Unitech, you can use one of the 3 ways from below to dispose them.



Description of Unitech Europe handling flow:

1. Stands for the normal product flow of delivery of goods within the logistic flow of delivery;
 - a. Standard Purchase orders, back orders in the reseller channel
 - b. Return of RMA
2. Stands for the product flow of delivery of goods within the logistic flow of retrieval;
 - a. w-order number to be assigned like RMA procedure.
 - b. Cost of disposal of electronic appliances at the expense of Unitech Europe
 - i Unitech may charge a deposit for separating other waste, then electronic appliances.
 - ii Carriers used for transport (like pallet) are not refunded nor returned.
 - iii Remove-able battery's should be separated from the electronic appliances.
 - c. Shipping cost is at sender's expense, unless otherwise written agreement is in place between the sending party with Unitech

Note:

NVMP and ICT are associates in relation with the registration/ and notification towards the Ministry of Housing in the Netherlands.